



MOTO 4,
— fuel-eco



IMPROVED
M I L E A G E



MOTO 4
fuel-eco

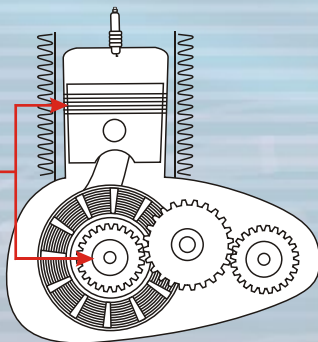
IMPROVED MILEAGE

ELF Moto 4 fuel-eco is technologically advanced 4-stroke motorcycle engine oil which increases the fuel economy of the bike. It also provides superior protection to engine parts from wear and corrosion.

ELF Moto 4 fuel-eco has unique **Mileage Boosters**, which help the engine to do the same work by using less fuel. Thus ELF Moto 4 fuel-eco ensures **Improved Mileage**:

Mileage Boosters

reduce fuel consumption by reducing drag between all moving parts of the engine.



ELF Moto 4 fuel-eco also ensures smoother gear shift and better clutch engagement.

ELF Moto 4 fuel-eco can be used for double drain period by topping-up at every 2000 km.

Specially made for latest Hero Honda motorcycles. Can also be used in other 4 stroke two-wheelers manufactured by Honda, TVS, Bajaj, LML, Kinetic, etc.

ELF Moto 4 fuel-eco 10W30 exceeds the requirements of **JASO MA 2**. It also exceeds Valve Train Wear and High Temperature Characteristics of **API SM**.

Available in 900 ml pack.

For further details, please contact:

TOTALFINAELF INDIA LIMITED

3rd Floor, The Leela Galleria, Andheri-Kurla Road, Andheri (E),
Mumbai 400 059, INDIA. Tel.: 91-22-6640 7700, Fax: 91-22-6640 7720.
E-mail: mktgho@totalfinaelf.co.in, Website: www.elf.co.in